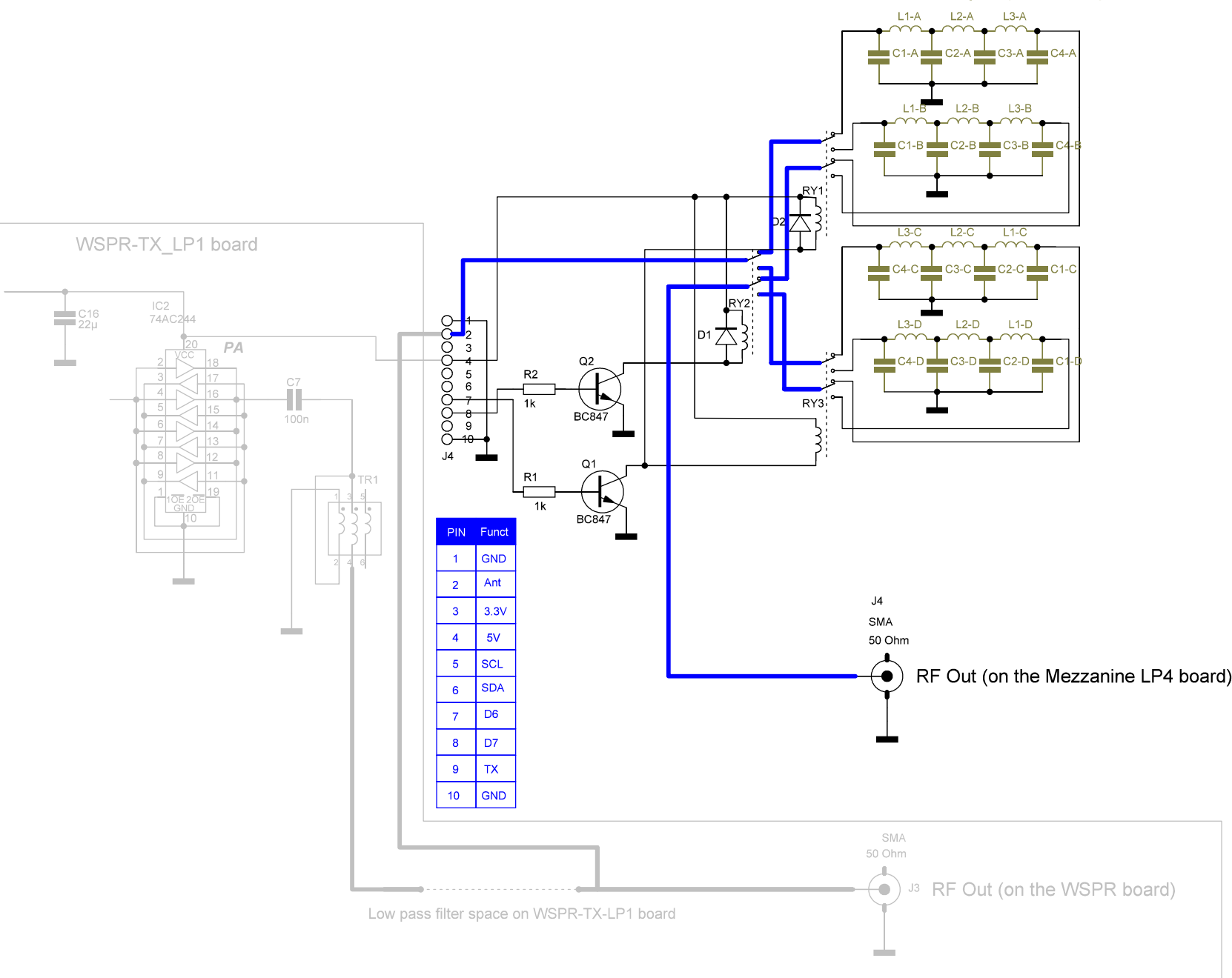


Low Pass Filters space (Not included)



PIN	Funct
1	GND
2	Ant
3	3.3V
4	5V
5	SCL
6	SDA
7	D6
8	D7
9	TX
10	GND

Prod Version	Revision	Revision date
1	3	2019-01-16
Prod Name		
Mezzanine LP4		